

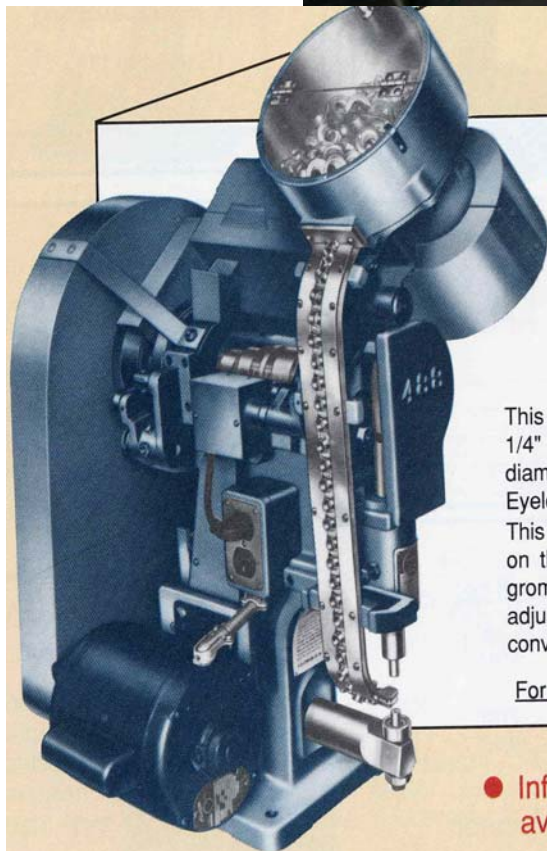
# ROBESON SEWING MACHINE COMPANY

1126 HARPETH IND. CT., FRANKLIN, TENNESSEE 37064 USA

800-422-3330 / 615-790-2222 / 615-791-1241(FAX)

website: [www.robessonsew.com](http://www.robessonsew.com) / email: [robesson@bellsouth.net](mailto:robesson@bellsouth.net)

**\*SPECIAL OFFERING ON REBUILT\***



## **DOUBLE ACTION AUTOMATIC FEED MACHINE**

Designed especially for a range of eyelets or grommets having 3/16" thru 13/16" outside diameter: maximum flange diameter 1-3/8".

### **HAND FEED CAPACITY**

This machine will set grommets as large as 1-1/4" outside diameter; approximately to 2" diameter flange (#8 Rolled Rim Grommet) or Eyelets of comparable size.

This machine first punches a hole and then on the second revolution sets an eyelet or grommet on the same tools. With a slight adjustment this machine can be used as a conventional single action type machine.

For complete information write for brochure.

## **No. 488 Machine**

Height \_\_\_\_\_ 31"

Weight \_\_\_\_\_ Approx. 265 lbs.

Throat Depth \_\_\_\_\_ 4-7/8"

Stroke \_\_\_\_\_ 3-1/8"

Bench Space \_\_\_\_\_ 19" X 20-1/2"

## **EYELETING and GROMMETING**

- Information regarding additional safety equipment available upon request.